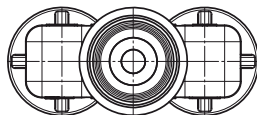
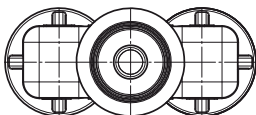
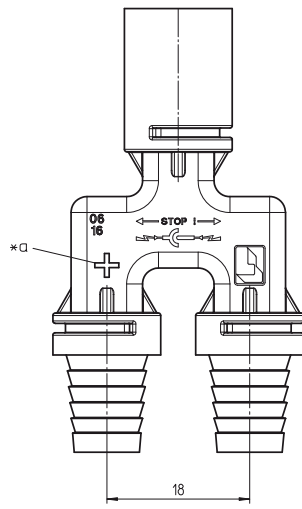
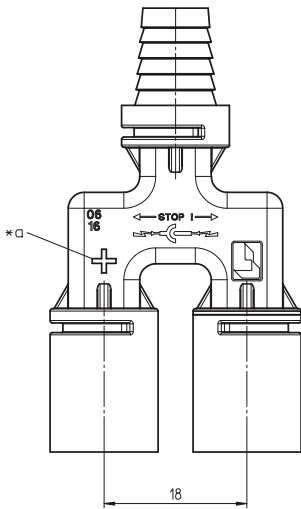
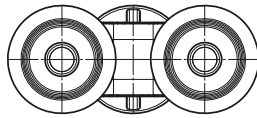
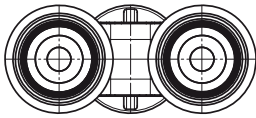



**LC3-CP 21**

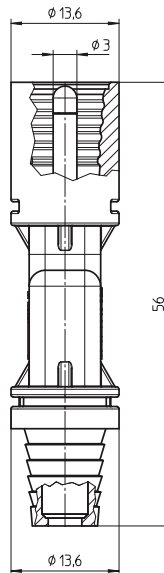
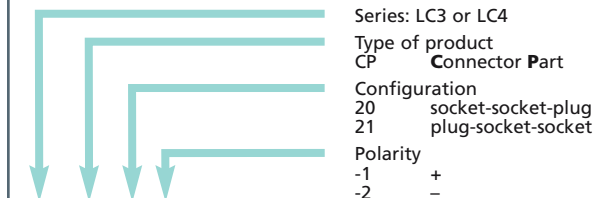
**LC3-CP 20**


\*a marking + on LC3-CP 2...-1, - on LC3-CP 2...-2

**LC3-CP 20**  
**LC3-CP 21**
**LC3® photovoltaic branch connector**
**LC3-CP 20: socket-plug-plug**
**LC3-CP 21: plug-socket-socket**

<b>1. Temperature range</b>	-40 °C/+85 °C (+110 °C upper limit temperature)
<b>2. Materials</b>	halogen-free, UV-resistant
Insulating body	TPU, V0 according to UL 94
Contact pin/bush	CuZn, pre-nickel and tinned
Contact protection	PA, V0 according to UL 94
Sleeve	CuZn, nickel
Contact sheet	CuZn, nickel
<b>3. Mechanical data</b>	
Insertion force <sup>1</sup>	≤ 89 N
Withdrawal force <sup>1</sup>	≥ 89 N
Mating cycles <sup>1</sup>	50
Mating with	photovoltaic connectors LC3
Protection degree <sup>2</sup>	IP 68
<b>4. Electrical data (at T<sub>amb</sub> 20 °C)</b>	
Contact resistance <sup>1 3</sup>	≤ 5 mΩ
Rated current <sup>1</sup>	35 A at T <sub>amb</sub> 85 °C
Rated voltage <sup>4</sup>	1000 V DC
Overvoltage category <sup>4</sup>	III (8 kV)
Material group <sup>4</sup>	I (IEC)/0 (UL) (CTI ≥ 600)
Creepage distance	≥ 12.5 mm
Clearance	≥ 12.5 mm
Insulation resistance	> 10 GΩ

<sup>1</sup> measured with a proper counterpart  
<sup>2</sup> according to IEC 60529/DIN EN 60529  
only in mated condition with a proper counterpart  
IP X8 requirements under agreement between manufacturer and user  
<sup>3</sup> only contact transitions, without contact sheet  
<sup>4</sup> according to DIN EN 60664/IEC 60664 resp. according to ANSI/UL 746A


**Composition of type designation**

**LC3-CP 20-1**
**Package unit: 100 pieces in a cardboard box**